





# Leura



## Company Profile

Leura srl is a dynamic company that captures the needs of the user, it designs and realises products to create well-being and facilitate daily actions, ensuring autonomy, ease of use, comfort, health, safety, high performances and emotional value, all at the same time. Leura's products - designed by arch. Mitzi Bollani expert in Design for All - are born to solve specific issues but they are flexible and useful for everyone. To bring some examples: MimmaMà is a specific nursing chair that suits its peculiarities with a design that offers everyone a great back discharge and allows people to work with a notebook on their knees in a much more comfortable way than other chairs; NiDondolo is a movement game specially designed for children with motor, sensory and cognitive disabilities, it is an active game that develops proprioceptive abilities and it is suitable for a wide range of ages, from babies to adults, also becoming a rehabilitation tool. That is why we have called our holistic and multidisciplinary approach "Helpful Design".

The environment around us is like a second skin and it affects the psycho-physical well-being of people. Respect for multiculturalism, gender and age is for Leura srl a stimulus to create innovative, easy-to-use, socially useful, customizable and comfortable products. The working method is based on the application of ergonomic and functional standards combined with high aesthetic and performance values, allowing not only to come up with unexpected solutions but to find new ways for the marketing and sales project. Leura srl proposes a line of original products that are well-suited to customer service, because they are customizable on the needs of both the customer and the companies, collecting clients satisfaction and developing its loyalty.

Leura was founded in 2008 by Arch. Mitzi Bollani who still leads it. She is an expert in architecture and social sustainability, and for this reason, her company's products are always a concept of right to health, participation, child protection and respect for diversity. . . The architect Bollani is happy to collaborate with companies, institutions and professionals, providing consulting for the creation of adjuvant environments or the improvement of products already on the market in order to expand their potential users, improve their functionality and respond to needs not yet satisfied. All those who share our vision and mission will be able to get the "Designed for You & All" collective brand that highlights and rewards the degree of accessibility, health and safety achieved and guaranteed.



## LEURA s.r.l. - HELPFUL DESIGN

### SEDE LEGALE

Via Cavour 43 29121 Piacenza - Italy  
Cod Fisc. 02958860989 Num REA PC-0169053

### SEDE OPERATIVA

Via Vitali 3 29121 Piacenza - Italy  
T. +39 0523 451592

leura@leura.it  
www.leura.it  
www.mimmama.it



# DfY&A



## Label Designed for You&All

The "Designed for YOU & ALL" label rewards activities and products that have a high-quality performance and enable every citizen to improve their quality of life and civil rights, facilitating their participation in public and private activities, minimizing the discrimination. The brand is awarded to facilities, infrastructure, products and services that will make accessibility, health and safety conditions more and more extended, with particular regard to the needs of vulnerable groups of people: children, elderly, people with disabilities, sick people, pregnant women, families with newborn babies, obese people, people of different language, religion, age, height, ...

The mark clearly highlights the level of accessibility, health and safety that the object (building, urban space, means of transport, common object, etc.) offers, indicating also the specific features it possesses and the requirements that have been respected. The label is useful to users of the product, structure, infrastructure or service as it allows him/her to know at the earliest if his/her needs are considered. The brand rewards the quality and sensitivity of the Companies that have produced the good / service and all those who handle it. The brand is a stimulus to do better and better.

Innovation of the brand "Designed for You & All" is the aesthetic quality added to the accessibility, health and safety goals. This means finding suitable solutions that, in addition to not discriminating against people, fit into an elegant, balanced and integrated way in the existing context, respecting architectural values and the natural context. This commitment will create increased consensus and will facilitate the development of positive actions.

The brand rewards solutions that achieve more goals at the same time and reduce to the maximum the specialist solutions that, though useful and often indispensable, are definitely discriminating.

**DESIGNED FOR YOU&ALL**

**Poltrona MimmaMà®**  
di LEURA srl

ha ottenuto il marchio collettivo  
"DESIGNED FOR YOU&ALL"  
REP. 0001558616

per l'innovazione di prodotto che supporta le mamme nelle tre posizioni di allattamento prevenendo i dolori posturali e minimizzando quelli derivanti dal parto; per la capacità di essere comoda e adatta a tutti mentre risolve le necessità specifiche delle mamme; per essere un dispositivo medico utilizzabile in molti settori: travaglio, allattamento, prelievi.

MimmaMà Armchair has been awarded the trade mark "Design for YOU&ALL" for product innovation that supports mothers in the three positions of breastfeeding by preventing and minimizing postural pains and those arising from childbirth, for the ability to be comfortable and suitable for all, while solving the specific needs of mothers, to be a medical device used in many healthcare areas: labor, breastfeeding, sampling.

Piacenza, 03 Marzo 2013  
*Miki Bolteni*  
Arch. Miki Bolteni  
Amm. Unico Leura s.r.l.

LICENZA N. 001

LEURA srl  
SEDE LEGALE - Via Cavour 43 - 29121 Piacenza (P)  
SEDE OPERATIVA - Via Vitali 3 - 29121 Piacenza (P) - www.leura.it - www.mimmama.it

**DESIGNED FOR YOU&ALL**

**N&WCURVE**  
di CHIOCCHETI EMIL

ha ottenuto il marchio collettivo  
"DESIGNED FOR YOU&ALL"  
REP. 0001558616

perché è un bastoncino telescopico da Nordic & Walking con impugnatura su curva per ridurre lo sforzo del polso e della spalla di chi lo utilizza.

N&WCURVE by Chiochetti Emil has been awarded the trade mark "Design for YOU&ALL" because it is a Nordic & Walking telescopic pole with curved handle that minimizes the effort of the user's wrist and shoulders.

Piacenza, 18 Settembre 2014  
*Miki Bolteni*  
Arch. Miki Bolteni  
Amm. Unico Leura s.r.l.

LICENZA N. 018

LEURA srl  
SEDE LEGALE - Via Cavour 43 - 29121 Piacenza (P)  
SEDE OPERATIVA - Via Vitali 3 - 29121 Piacenza (P) - www.leura.it - www.mimmama.it

**DESIGNED FOR YOU&ALL**

**"La Capsula"**  
MimmaMà Point spazio di allattamento e coccole  
GHOL-SITE DE NYON (CH)

ha ottenuto la licenza del marchio collettivo  
"DESIGNED FOR YOU&ALL"  
REP. 0001558616

per l'attività di sostegno alle famiglie con bambini piccoli attraverso l'allestimento di un MimmaMà Point - punto di allattamento e coccole - chiamato "La Capsula" collocato nello spazio distributivo dell'ospedale accanto alla caffetteria, a disposizione di mamme e papà con i loro bimbi.

The MimmaMà Point "La Capsula" has been awarded the trade mark "Design for YOU&ALL" because it is a reserved area dedicated to mothers and fathers, for nursing and outfitting their kids, placed in the GHOL - Site de Nyon (CH) closed to the cafeteria.

Piacenza, 16 Ottobre 2014  
*Miki Bolteni*  
Arch. Miki Bolteni  
Amm. Unico Leura s.r.l.

LICENZA N. 019

LEURA srl  
SEDE LEGALE - Via Cavour 43 - 29121 Piacenza (P)  
SEDE OPERATIVA - Via Vitali 3 - 29121 Piacenza (P) - www.leura.it - www.mimmama.it

## LEURA s.r.l. - HELPFUL DESIGN

SEDE LEGALE  
Via Cavour 43 29121 Piacenza - Italy  
Cod Fisc. 02958860989 Num REA PC-0169053

SEDE OPERATIVA  
Via Vitali 3 29121 Piacenza - Italy  
T. +39 0523 451592

leura@leura.it  
www.leura.it  
www.mimmama.it

## General Data

Sleeping with a baby, known as co-sleeping, is a very common infant care practice all over the world. Co-sleeping has reported benefits including improved breastfeeding outcomes, enhanced maternal bonding and responsiveness, and improved infant settling with less crying. MaBim is a neonatal cot which allows mother and baby sleep close together, but on separate surfaces, to assist with maternal bonding and establishment of breastfeeding.

Mothers are able to get to know their baby and respond immediately to their baby's needs. The mom is able to pick baby up to nurse without having to get up from her bed, which is an important advantage for those who have had a caesarean section, postnatal complications or epidural anaesthesia. Importantly, the MaBim allows for co-sleeping between mother and baby on separate sleep surfaces, which is advised in Safe Sleeping guidelines to reduce the risk of sudden unexpected deaths, especially for young infants less than 12 weeks of age.

MaBim is suitable for co-sleeping as it allows direct contact between mother and baby due to its rotating side. MaBim is transparent to facilitate monitoring of the newborn. It is mounted on a variable height cart, and equipped with castor wheels each with individual brakes. It can be used with every hospital bed, common chairs, wheelchairs and is suitable for health professionals to access the baby when baby is lying in the cot.

MaBim is a product that combines functionality, ergonomics and eco-sustainability. It promotes mother and baby closeness and supports their wellbeing from the beginning of their life together.



## LEURA s.r.l. - HELPFUL DESIGN

### SEDE LEGALE

Via Cavour 43 29121 Piacenza - Italy  
Cod Fisc. 02958860989 Num REA PC-0169053

### SEDE OPERATIVA

Via Vitali 3 29121 Piacenza - Italy  
T. +39 0523 451592

leura@leura.it  
www.leura.it  
www.mimmama.it



# MaBim

Designer Arch. Mitzi Bollani



CE medical device - art. 50.120MB

## Technical Data

MaBim, code 50.120MB, is the neonatal cot for co-sleeping. It is comprised of:

- a cradle made of transparent methacrylate, with an accessible side opening, and stainless steel bushings which allow for side rotation. On its base, four openings facilitate cleaning. On the two short sides, access openings also work as handles to push the cot forward. On the side that opens, a hole facilitates hand grip for moving the cot;
- a powder-painted iron plate, which the cot is fixed to, comprised of:
  - a column in painted aluminium, with variable height that uses a gas lift system;
  - a base equipped with 4 wheels of 60mm diameter, each with brakes;
  - a polyester adjustable strap with automatic release and locking mechanism.

**Category:** methacrylate, aluminium, iron

**Colours:** transparent for the cot and white for the cart

**Fire-Resistant:** class E conformity with the Directive 93/42/CEE

**Maximum Tested Weight:** 25kg

**Total Weight:** 23,5kg

**Total Size:** (LxWxH) 75x44x86/114cm

**Cot Size:** (LxWxH) 75x44x28cm

**Horizontal Cot Surface Size:** (LxW) 68x37cm

**Packing Size:** n.1 box (LxWxH) 77x49x62cm



## ACCESSORIES

### 50.120MT - FLAT MAT

Flat flame retardant mat made of flexible polyurethane foam with waterproof and breathable fabric covering.

### 50.120AP - Object holder

Shelf in transparent Plexiglas sizes 30 x 20 cm placed under the cot with rods in white painted iron.

## LEURA s.r.l. - HELPFUL DESIGN

### SEDE LEGALE

Via Cavour 43 29121 Piacenza - Italy  
Cod Fisc. 02958860989 Num REA PC-0169053

### SEDE OPERATIVA

Via Vitali 3 29121 Piacenza - Italy  
T. +39 0523 451592

leura@leura.it  
www.leura.it  
www.mimmama.it



# MimmaMà

Designer Arch. Mitzi Bollani

breastfeeding armchair

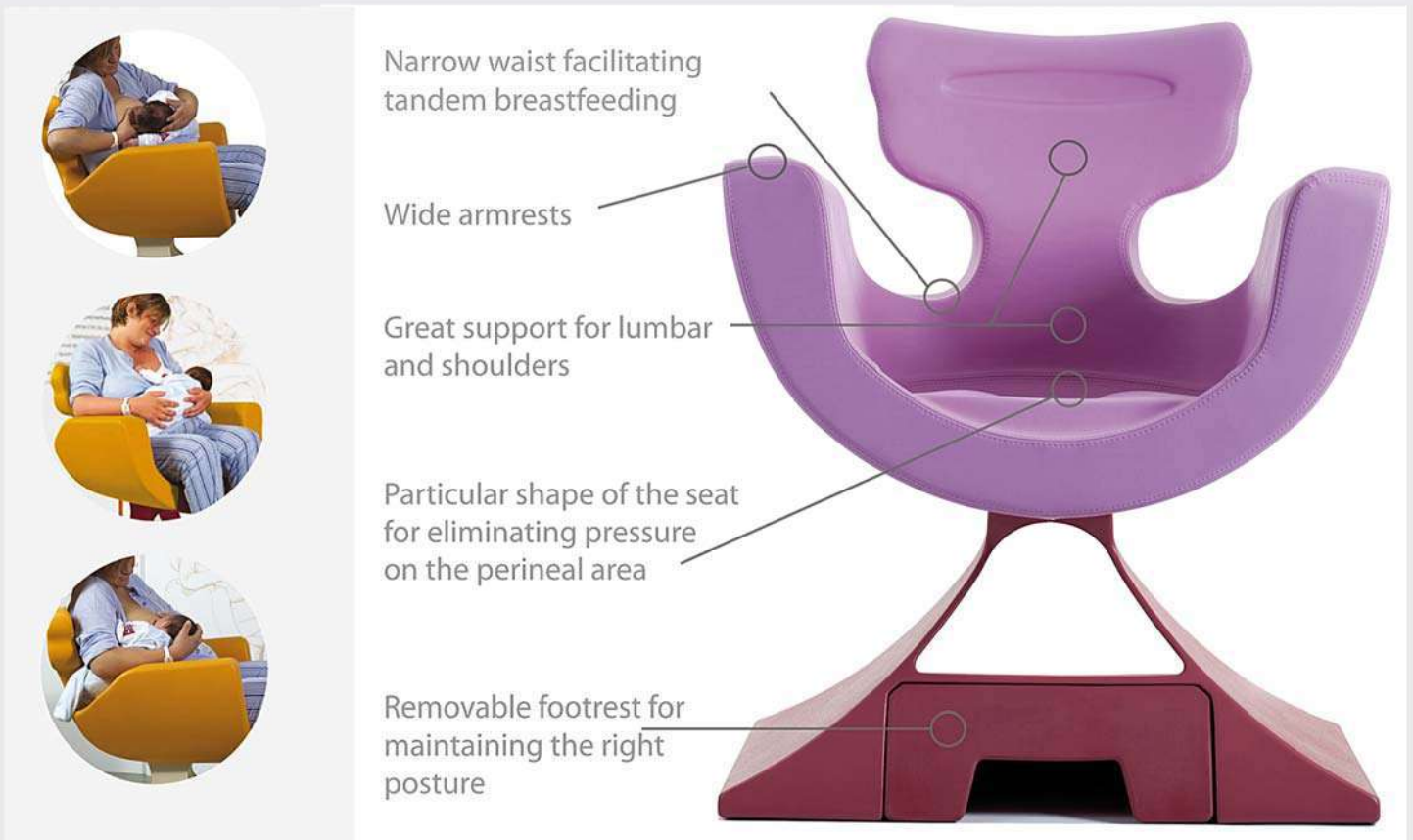


## General Description

MimmaMà® is the unique armchair designed to supporting mother and child in all different breastfeeding positions, including the "tandem" one for nursing twins at the same time, offering the best comfort immediately after childbirth that other beds and chairs can not ensure. It is an excellent Italian design that combines ergonomomy to a singular shape: the poetic image of a female figure that embraces and protects new mother and child. The originality of the lines makes it instantly recognizable as a symbol of Right to Health of Mother and Baby.

Ergonomic, fireproof, antibacterial, easy to sanitize, functional, latex free, soft and comfortable, it is modeled with particular attention in the sitting, to support the bone structure and to avoid pressure on the perineum, thereby reducing pains caused by post partum wounds or surgical complications. MimmaMà® offers an optimal lumbar, shoulder and arm support avoiding postural pains too. The breadth of his armrests and their rounded continuity allow to find the best position for both mother and child. MimmaMà® could be equipped with a useful footrest that guarantees the discharge of the back and with a pillow that welcomes baby when is very small.

MimmaMà® is a medical device with CE declaration included in the list of the Italian Ministry of Health and registered at the Australian TGA, but is also an excellent product marked Designed for You&All that fits into any environmen and ensures comfort to everyone.



## LEURA s.r.l. - HELPFUL DESIGN

### SEDE LEGALE

Via Cavour 43 29121 Piacenza - Italy  
VAT nr. 02958860989 Num REA PC-0169053

### SEDE OPERATIVA

Via Vitali 3 29121 Piacenza - Italy  
T. +39 0523 451592

leura@leura.it  
www.leura.it  
www.mimmama.it



# MimmaMà

Designer Arch. Mitzi Bollani

## breastfeeding armchair



### Technical Data - Models

Breastfeeding armchair made of soft polyurethane with internal steel frame, coated in expanded PVC-artificial leather sheets with textile backing. It is available in lilac, light green, white and yellow colors.



#### MimmaMà 365900 N - Medical Device CE

Armchair MimmaMà with painted aluminium base which includes a footrest made in self-skinning soft polyurethane in the same color bourdeaux of the base. Two little castors on its back let the armchair move easily. Accessory: pillow Mabeby. Size (LxWxH) 74x67x93cm weight 25kg.



#### MimmaMà 365900 L

Armchair MimmaMà assembled to disc base with central column made in hard chromed stainless steel, swivel version. Accessories: footrest and pillow Mabeby. Size (LxWxH) 74x67x90cm weight 29kg.



#### MimmaMà 365900 S

Armchair MimmaMà assembled to a base with four arched legs in steel painted in grey color. Accessories: footrest and pillow Mabeby. Size (LxWxH) 74x67x90cm weight 15kg.



#### MimmaMà 365900 R2

Two MimmaMà armchairs assembled to a straight bar base made in hard chromed stainless steel. Size (LxWxH) 190x67x90cm

#### MimmaMà 365900 R3

Three MimmaMà armchairs assembled to a straight bar base made in hard chromed stainless steel. Size (LxWxH) 300x67x91cm

**Category:** Pplyurethane PVC and metal alloys

**Colours:** lilac, light green, white, yellow

**Fire-resistant:** 1IM in conformity with Directive 93/42/CEE.

**Maximum tested weight:** 130 Kgs

**Packing Size (LxWxH):** n.1 box (LxWxH) 78x72x56cm (Seat) + n.1 box (LxWxH) 80x57x39cm (Base N, L and S)

#### ACCESSORIES



365900 P: footrest made in soft polyurethane, bordeaux color. Included in MimmaMà 365900 N and suitable for all others models. Size (LxWxH) 37x40x10/14cm



365900 C Mabeby: breastfeeding pillow made of siliconized polyester staple with double fabric coverings. The external covering is in ecoleather. It is fireproof, antibacterial and washable. White or lilac.



90.110 Tavolo: white laminate top on fixed column in chrome stainless steel and flat disc base. Diameter 50cm, height 60cm.

N.B.

MimmaMà can be combined to customizable stands to offer to nursing mothers a safety, user friendly and comfortable breastfeeding area.

### LEURA s.r.l. - HELPFUL DESIGN

#### SEDE LEGALE

Via Cavour 43 29121 Piacenza - Italy  
Cod Fisc. 02958860989 Num REA PC-0169053

#### SEDE OPERATIVA

Via Vitali 3 29121 Piacenza - Italy  
T. +39 0523 451592

leura@leura.it  
www.leura.it  
www.mimmama.it



# MimmaMà Point

ALLATTAMENTO E COCCOLE



MimmaMà Point  
ALLATTAMENTO E COCCOLE  
by Laura®

A quiet space to breastfeed your baby when you are away from home

MimmaMà® Is a product designed by the architect Mitzi Bollani and produced by LEURA to offer mother and her baby a safe, clean and equipped space in which she can breastfeed or just cuddle and reassure her child. In MimmaMà Point mom can find everything she needs: the chair MimmaMà, specific for breast-feeding a baby and a NiDondolo, a play to soothe and relax her child.

On MimmaMà armchair the mother sit, comfortably, finding a good lumbar support facilitated by a soft foot-rest thus supporting the three standard breastfeeding positions.

MimmaMà has an innovative design, ergonomic and functional. It is made of material fire retardant, mold and fungicide. "NiDondolino" is a soft play that mother controls and turns with the movement of her foot, even while she is breastfeeding her second child.



There are many reasons why breastfeeding outside home is necessary and should be encouraged. Mothers who breastfeeds should always stay close to their child, every child has a different rhythm and food time to breastfeed and it is difficult to predetermine how long will be the feedings, the pauses between a feeding and the other and how much milk baby takes at each feeding. Some Babies need to eat 10 or 18 times a day and breastfeeding on "claim" means just feed the baby when it signs hunger.

So breastfeeding mothers need support in implementing their actions such as making shopping, going to the post office, going to the playground with her older children. Breastfeeding in public space is not always easy for a mother who surely prefers privacy and tranquility.



LEURA s.r.l.

## SEDE LEGALE

Via Cavour 43 29121 Piacenza - Italy  
Cod Fisc. 02958860989 Num REA PC-0169053

## SEDE OPERATIVA

Via Vitali 3 29121 Piacenza - Italy  
T. +39 0523 451592

[www.leura.it](http://www.leura.it)  
[www.mimmama.it](http://www.mimmama.it)  
[leura@leura.it](mailto:leura@leura.it)





# MimmaMà Point

ALLATTAMENTO E COCCOLE



MimmaMà Point  
ALLATTAMENTO E COCCOLE  
by Leura®

A quiet space to breastfeed your baby when you are away from home

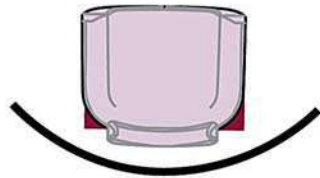
We believe it is necessary and proper to promote the development of breastfeeding areas, to encourage women to do that naturally. Parks, libraries, shopping malls, shops, chemists, coffee bars and supermarkets, fairs, are ideal places for a MimmaMà Point, and they can become a network of services dedicated to mothers and their babies. A happy mum is a satisfied customer!

The MimmaMà Point facilitates mother's daily activities when she is outside home and makes so peaceful and willing to extend her breastfeeding period.

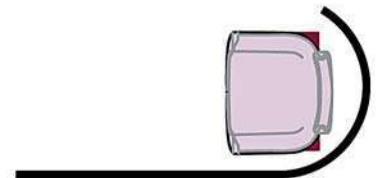
LEURA promotes all the realized MimmaMà Point on a dedicating web site ([www.mimmama.it](http://www.mimmama.it)) thus for giving a service to mothers and putting in a proper light those companies supporting this service.

Please help us to extend this social service.

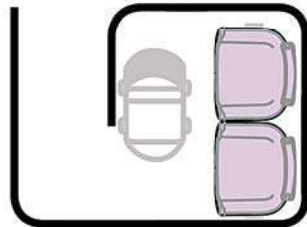
Paravento



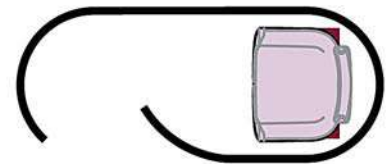
Romanina



Spirale



Capsula



MimmaMà



NiDondolino



LEURA s.r.l.

**SEDE LEGALE**

Via Cavour 43 29121 Piacenza - Italy  
Cod Fisc. 02958860989 Num REA PC-0169053

**SEDE OPERATIVA**

Via Vitali 3 29121 Piacenza - Italy  
T. +39 0523 451592

[www.leura.it](http://www.leura.it)  
[www.mimmama.it](http://www.mimmama.it)  
[leura@leura.it](mailto:leura@leura.it)



# PuSiCo

Designer Arch. Mitzi Bollani

## washbasin and changing table



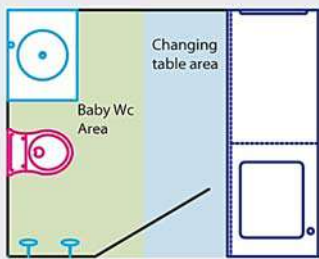
### General Description

PuSiCo is a washbasin and changing table easy to sanitize, made of acrylic stone velvety and warm to the touch, molded to facilitate both safety and cleanliness. Its shape is specially designed to facilitate mothers in washing and changing the baby. PuSiCo shape allows the mother to support the child properly and to smoothly transfer him directly on the shelf for dressing and changing diapers/nappies.

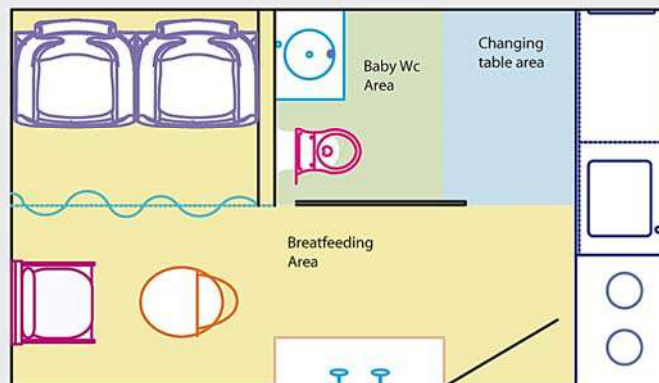
PuSiCo (cleanliness, safety and comfort) is available in three models: with self-supporting structure, suspended or with two front legs of reinforcement. The minimum size is 1400x530mm, but it can be realized with longer lengths to suit the environment where it is installed. PuSiCo is packaged at request of the customer with the sink positioned right or left on the shelf. Leura srl recommends to use a high tap with a lever control for allowing the mother to place the child directly under the stream of water. The placement of the tap to the outer corner of the basin facilitates operations and prevents the child gets hurt whilst moving.



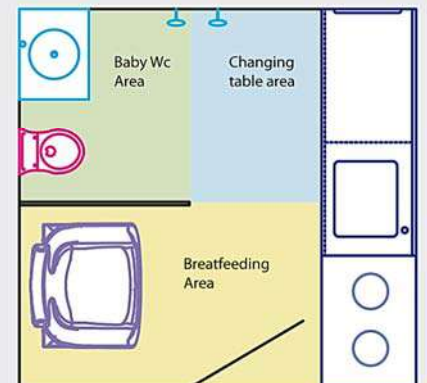
Using PuSiCo Leura srl realizes family toilets that allow mom and dad to change or clean the baby while monitoring the older son who learns to manage himself independently with a baby toilet and a sink at its height. The nursery can be completed with a breastfeeding area to meet the needs of all children from their first days of life.



Family Toilet  
S Dim: 190x150 cm



Nursery L Dim: 400x230 cm



Nursery M Dim: 240x230cm

### LEURA s.r.l. - HELPFUL DESIGN

REGISTERED OFFICE  
Via Cavour 43 29121 Piacenza - Italy  
Cod Fisc. 02958860989 Num REA PC-0169053

HEADQUARTERS  
Via Vitali 3 29121 Piacenza - Italy  
T. +39 0523 757086

leura@leura.it  
www.leura.it  
www.mimmama.it

### Technical Data

PuSiCo is a sink and changing mat made of acrylic stone and available in three models: with self-supporting structure, suspended to the wall or equipped with two front legs of reinforcement.

**Category:** acrylic stone

**Colours:** white

**Fire Resistant:** classe 1 in conformity with Directive 93/42/CEE

**Maximum Tested Weight:** 40kg



**40.130** PuSiCo suspended with 90mm deep sink that can be positioned right or left. Wall-hung washbasin and changing table, (LxWxH) 1400x530x200mm complete with thermoformed sink, front veil, rear splashback, three supporting brackets. Weight 24kg. Taps excluded. Achievable with custom length.



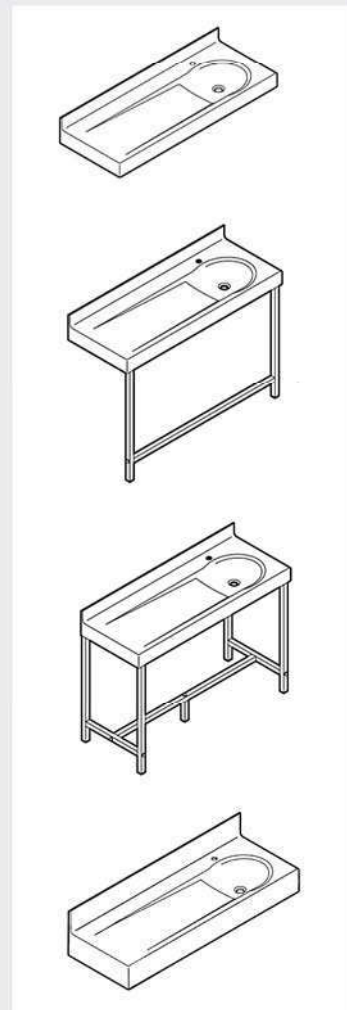
**40.140** PuSiCo with two front legs of reinforcement and 90mm deep sink that can be positioned right or left. Wall-hung washbasin and changing table with two front legs of reinforcement (LxWxH) 1400x530x900mm complete with thermoformed sink, front veil, rear splashback, three supporting brackets. Weight 31kg. Taps excluded. Achievable with custom length.



**40.150** PuSiCo with self-supporting structure and 90mm deep sink that can be positioned right or left. Washbasin and changing table with self-supporting structure. (LxWxH) 1400x530x900mm complete with thermoformed sink, front veil, rear splashback. Weight 34kg. Taps excluded. Achievable with custom length.



**40.160** PuSiCo suspended with 180mm deep sink that can be positioned right or left. Wall-hung washbasin and changing table, sizes (LxWxH) 1600x600x500mm complete with thermoformed sink, front veil, rear splashback, three supporting brackets. Weight 27kg. Taps excluded. Achievable with custom length.



### ACCESSORI



40.110 PU polished chrome drain

40.115 PU polished chrome siphon

40.120 PU shiny chrome tap with lever mixer

## LEURA s.r.l. - HELPFUL DESIGN

### SEDE LEGALE

Via Cavour 43 29121 Piacenza - Italy  
Cod Fisc. 02958860989 Num REA PC-0169053

### SEDE OPERATIVA

Via Vitali 3 29121 Piacenza - Italy  
Tel. e Fax +39 0523 451592

leura@leura.it  
www.leura.it  
www.mimmama.it



# NiDondolo

Designer Arch. Mitzi Bollani



game of movement for all

## General Data

NiDondolo looks like a big bowl, a nest in fact, that rotates, twists and turns, and swings, with any slight movement of someone using it. Its name comes from a combination of two Italian words: Nido, meaning 'nest', and Dondolo, meaning 'swing'. NiDondolo is a welcoming game able to entertain even those who have limited mobility, sensory or mental capabilities, facilitating the integration and group play. Children can enter it, crawling on all fours, and play in it lying down, sitting.

NiDondolo is a game of movement suitable for children of all ages, very exciting because it develops the proprioception ability, which is the particular sensitivity that allows the body to have the perception of itself in relation to the outside world.

Tested and used in neuropsychiatry, NiDondolo, in its smaller size, is a useful tool for the therapy, thanks to its three movements of rotation, twisting and swinging. In hospitals, the game satisfies the needs of young patients, even the weakest, because it requires no physical effort.

There are very few games of movement for babies, NiDondolo is an important instrument to the body awareness, coordination and responsiveness. The robustness of NiDondolo also makes it possible for adults to use satisfying the needs of those parents who wish to share the fun with their very small infant children, or with their mature daughters and sons.



## LEURA s.r.l. - HELPFUL DESIGN

### SEDE LEGALE

Via Cavour 43 29121 Piacenza - Italy  
Cod Fisc. 02958860989 Num REA PC-0169053

### SEDE OPERATIVA

Via Vitali 3 29121 Piacenza - Italy  
T. +39 0523 451592

leura@leura.it  
www.leura.it  
www.mimmama.it



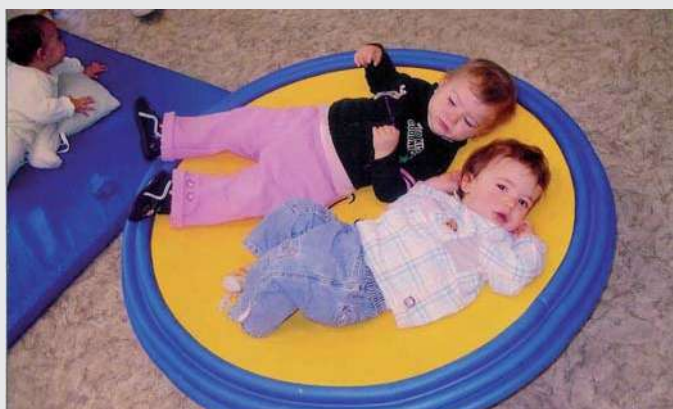
game of movement for children 0+ and rehabilitation tool

## General Data

NiDondolino looks like a bowl, a nest in fact, that rotates, twists and turns, and swings, with any slight movement of someone using it. Its name comes from a combination of two Italian words: Nido, meaning 'nest', and Dondolo, meaning 'swing'. NiDondolo is a welcoming game able to entertain even those who have limited mobility, sensory or mental capabilities, facilitating the integration and group play. Children can enter it, crawling on all fours, and play in it lying down, sitting.

NiDondolino is a game of movement suitable for children of all ages (0+) very exciting because it develops the proprioception ability, which is the particular sensitivity that allows the body to have the perception of itself in relation to the outside world.

Tested and used in neuropsychiatry, it is a useful tool for the therapy, thanks to its three movements of rotation, twisting and swinging. In hospitals, the game satisfies the needs of young patients, even the weakest, because it requires no physical effort. There are very few games of movement for babies, NiDondolino is an important instrument to the body awareness, coordination and responsiveness.



## LEURA s.r.l. - HELPFUL DESIGN

### SEDE LEGALE

Via Cavour 43 29121 Piacenza - Italy  
Cod Fisc. 02958860989 Num REA PC-0169053

### SEDE OPERATIVA

Via Vitali 3 29121 Piacenza - Italy  
T. +39 0523 451592

leura@leura.it  
www.leura.it  
www.mimmama.it



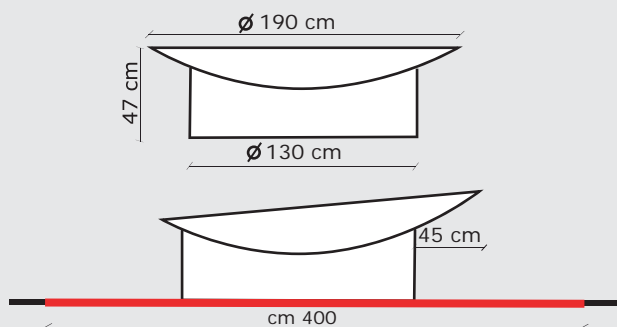
# NiDondolo & NiDondolino



## Technical Data

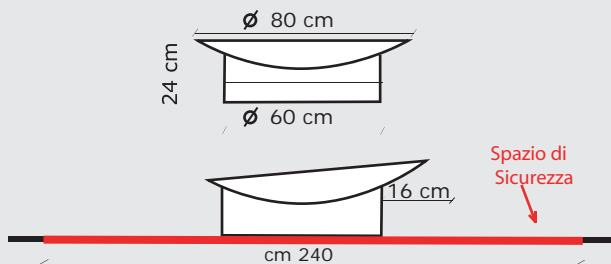
NiDondolo is a game accessible to everyone with a swinging, tilting and rotating motion available for indoor and outdoor. NiDondolo should be placed on a flat surface covered with anti-shock material, free from natural or artificial obstacles (UNI EN 1176-1). The structure is designed for the clamping to the ground, not strictly necessary for safety.

**Category:** AISI 304 e polyester  
**Fire Resistance:** Class 2 flame retardant coating  
**Safe Working Class:** 400kg  
**Sizes (LxWxH)** 190x190x47cm  
**Lateral Oscillation:** +/- 45cm  
**Safety Zone:** 400x400cm



NiDondolino is a game suitable for all children 0+ with a swinging, tilting and rotating motion, for indoor and outdoor. NiDondolino should be placed on a flat surface covered with anti-shock material, free from natural or artificial obstacles (UNI EN 1176-1). The structure is designed for the clamping to the ground, not strictly necessary for safety.

**Category:** AISI 304 e poliestere  
**Fire Resistance:** Class 2 flame retardant coating  
**Safe Working Class:** 180kg  
**Sizes (LxWxH)** 80x80x24cm  
**Lateral Oscillation:** +/- 16cm  
**Safety Zone:** 240x240cm



## LEURA s.r.l. - HELPFUL DESIGN

SEDE LEGALE  
Via Cavour 43 29121 Piacenza - Italy  
Cod Fisc. 02958860989 Num REA PC-0169053

SEDE OPERATIVA  
Via Vitali 3 29121 Piacenza - Italy  
T. +39 0523 451592

leura@leura.it  
www.leura.it  
www.mimmama.it



# Finferlo

Designer Arch. Mitzi Bollani

ischial seat

## General Description

FINFERLO (Chanterelle) is a semi-sitting for ischial support.

Its small size and the inclination of the seat allow people to keep their pelvis in the correct position (anteversion), ensuring a better alignment of the spinal column and the distribution of the body weight on the ischial tuberosity and lower limbs, avoiding an excessive flexion of the hips. Those qualities are a clear benefit for all people and especially for elderly men who can easily sit down and effortlessly get up.

It is necessary to offer restful stops along the streets allowing people to relax: Finferlo can be placed where traditional benches have not enough space; it is the best solution in case of steep paths.

Finferlo is suitable in bus stop areas, parks, metro stations, gardens, squares... Arranged in groups, it offers appealing opportunities to socialize and informal relaxing moments.

The shape of Finferlo suggest to children several ways of playing and modes of sitting. It also works as an easy point where tying the bicycle or the dog for a short stop in a store or a café.



## LEURA s.r.l. - HELPFUL DESIGN

### REGISTERED OFFICE

Via Cavour 43 29121 Piacenza - Italy  
Cod Fisc. 02958860989 Num REA PC-0169053

### HEADQUARTERS

Via Vitali 3 29121 Piacenza - Italy  
T. +39 0523 451592

leura@leura.it  
www.leura.it  
www.mimmama.it



# Finferlo

Designer Arch. Mitzi Bollani

art. 30.300

## Technical Data

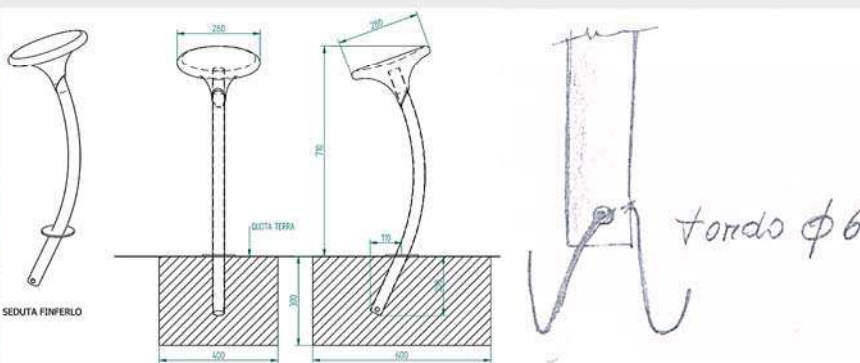
The Finferlo's structure is a curved tube made of stainless steel AISI 304 (40mm diameter) with a base plate, on the other side the seat (280mm diameter) is made of cast aluminum. Finishing: painted sitting with thermo-setting powders for external - red or yellow color; sandblasted and electro-polished or brushed tubular.

N.B. Finferlo's seat can be realized in all RAL colors for orders of minimum quantity 3 pieces for each color.



**Category:** steel, aluminum  
**Colors:** red, yellow or RAL range  
**Total Weight :** 10kg  
**Dimensions:**(LxWxH) 280x260x710mm

**Grounding:** grounding and installation are not included in the supply. For for the ground fixing realize a well tamped substrate of gravel and build a plinth of dimensions (LxWxH) 600x400x300mm as shown in the picture below. It is recommended to insert a rebar, at least with a diameter of 6mm, in the hole at the base of the tube for a greater resistance.



## LEURA s.r.l. - HELPFUL DESIGN

REGISTERED OFFICE  
Via Cavour 43 29121 Piacenza - Italy  
Cod Fisc. 02958860989 Num REA PC-0169053

HEADQUARTERS  
Via Vitali 3 29121 Piacenza - Italy  
T. +39 0523 451592

leura@leura.it  
www.leura.it  
www.mimmama.it





## General Description

Giano (Janus) is a seat made of a bent steel sheet previously cut by laser. Although it may seem rigid, Giano is a comfortable and very functional seat, designed to properly support the spinal column, to avoid the negative consequences of an incorrect posture. Its particular shape gives elasticity to the material, allowing a slight rocking motion that makes the chair very comfortable.

The multi-directionality is another of its characteristics: Giano allows everyone to sit comfortably in the classical position and in other directions.

Outdoors it offers great flexibility compared to traditional bench: being a single chair, Giano offers more privacy, but at the same time it facilitates the socialization, because people can turn to the conversation partner always remaining comfortably seated.

The particular shape of the backrest provides a support for a laptop, the compartment immediately below the seat can be used to store a briefcase, folders or books. The space above the pedestal, allows to store and maintain under control a rucksack or a bag, without taking up additional space. Despite its weight (30 kg), Giano is an extremely comfortable and practical seat even at home. The indoor version is equipped with a cushion that is placed in the shelf under the seat, so that it can be extracted and used in the occurrence. The indoor version is also equipped with felts under the pedestal, which allow to drag Giano without effort.

**Material:** steel

**Finishing and colors:** Giano is available with corten finishing, painted according to the range of RAL colors, decorated with customized graphics or rough for your own personalization.

**Dimensions (LxWxH):** 40x55x75cm. Steel sheet thickness: 7 mm



## LEURA s.r.l. - HELPFUL DESIGN

REGISTERED OFFICE  
Via Cavour 43 29121 Piacenza - Italy  
Cod Fisc. 02958860989 Num REA PC-0169053

HEADQUARTERS  
Via Vitali 3 29121 Piacenza - Italy  
T. +39 0523 451592

leura@leura.it  
www.leura.it  
www.mimmama.it



# Trottola

Designer Arch. Mitzi Bollani  
sculpture, seat, game

## General Description

Trottola is a sculpture for sitting as you like! Its rounded and playful shape resembles the image of a spinning top, the old children's game known since the time of the Romans and the Greeks. Trottola is a decorative and distinctive element of the environment, well suited to be placed outdoors in squares or green areas or indoors in museums, hotel halls, shopping centres, airports ...

Its shape is designed to offer different ways of sitting and to facilitate the people's socialization. Trottola is a seat and at the same time, a game, especially appealing to children: they love its rounded shape and bright colors.

Trottola is available in two versions, fixed or rotating, to accentuate its playful characteristics and entertain more children together.



## LEURA s.r.l. - HELPFUL DESIGN

REGISTERED OFFICE  
Via Cavour 43 29121 Piacenza - Italy  
Cod Fisc. 02958860989 Num REA PC-0169053

HEADQUARTERS  
Via Vitali 3 29121 Piacenza - Italy  
T. +39 0523 451592

leura@leura.it  
www.leura.it  
www.mimmama.it



# Trottola

Designer Arch. Mitzi Bollani  
sculpture, seat, game

## Technical Data

Trottola is made of fiberglass with polyurethane paint for exterior in RAL color. The internal structure is made of hot-dip galvanized steel, according to EN ISO 1461. A plate, made of galvanized steel, facilitates its installation on the ground. That plate is painted in black colour, but it is available on request in all RAL colours.

To install Trottola, chose a flat ground, build a plinth foundation and fix the Trottola plate to it with appropriate expansion plugs. When used as a game, all around Trottola must have an area free of natural and artificial obstacles as provided by UNI EN 1176-1: 2008.

### Trottola 30.200: fixed version

**Category:** steel and fiberglass  
**Colour:** yellow, red or RAL colour  
**Total Weight:** 120kg  
**Dimensions:** (LxWxH) 1700x1700x1600mm  
**Safety area:** not necessary  
**Seat Height:** 600mm  
**Recommended age:** -

### Trottola 30.250: swivel version

**Category:** steel and fiberglass  
**Color:** yellow, red or RAL colour  
**Total Weight:** 160kg  
**Dimensions:** (LxWxH) 1700x1700x1600mm  
**Safety Area:** 2000mm  
**Seat Height:** 600mm  
**Recommended Age:** 3 years +



## LEURA s.r.l. - HELPFUL DESIGN

REGISTERED OFFICE  
Via Cavour 43 29121 Piacenza - Italy  
Cod Fisc. 02958860989 Num REA PC-0169053

HEADQUARTERS  
Via Vitali 3 29121 Piacenza - Italy  
T. +39 0523 451592

leura@leura.it  
www.leura.it  
www.mimmama.it